

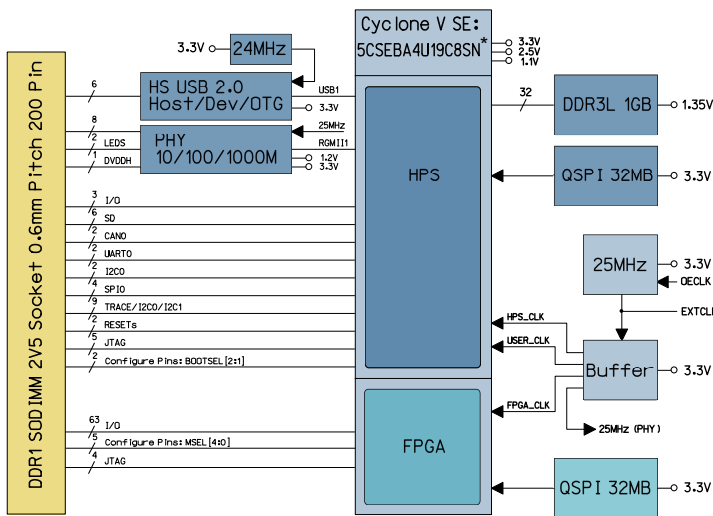
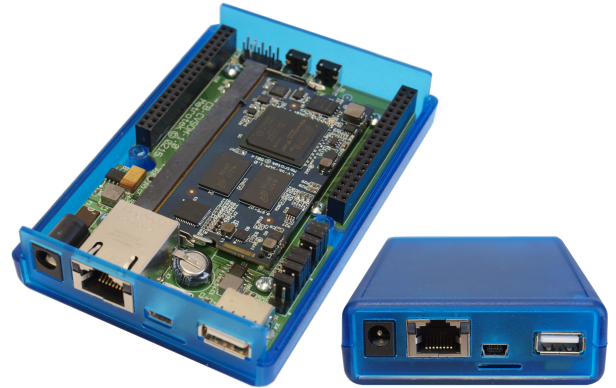
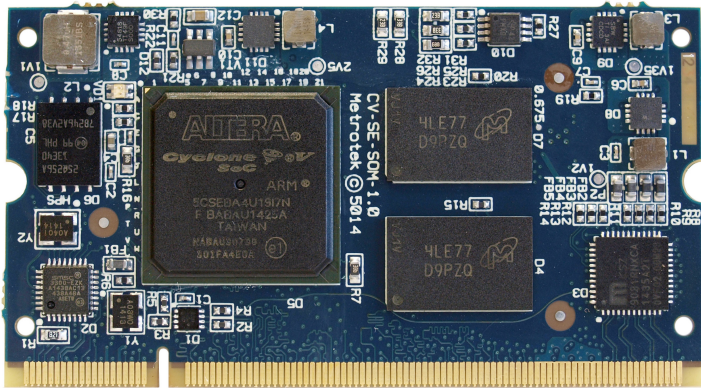
STC Metrotek

CV-SE-SOM module based on Cyclone V SoC

Since 2003 russian company «STC Metrotek» is engaged in development and manufacturing of hardware and software to conduct measurements in communication networks.

CV-SE-SOM module based on Altera Cyclone V SoC (FPGA + ARM A9MP) is intended to be integrated in digital signal processing, control and management systems. To create systems based on CV-SE-SOM module STC Metrotek offers debug board CB-CV-SOM that contains all necessary components and interfaces.

SOM modules and debug boards are developed and manufactured in Russia.

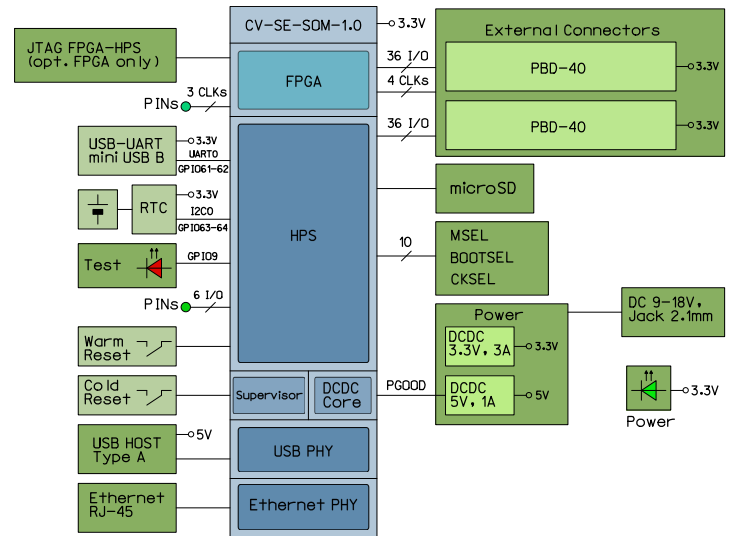


*FPGA part number in base CV-SE-SOM version.

CV-SE-SOM specifications

| | |
|--------------------|---|
| Cyclone V (FPGA) | - 63 FPGA I/O (25...110 LEs (K))** |
| Cyclone V (HPS A9) | - 30 HPS I/O (1 core 600 MHz, 2 cores 800 MHz)** |
| Memory | - 1 GB DDR3L HPS RAM, 32 bits - 32 MB QSPI FPGA, 32 MB QSPI HPS (optional) |
| Power | - 3.3 B±5% |
| Interfaces | - HS USB 2.0 PHY Host/Dev/OTG - Ethernet PHY 10/100/1000M - SD (MMC, eMMC) - CAN - UART - 2xI2C - SPI - HPS JTAG, HPS TRACE, FPGA JTAG |
| Form factor | - SODIMM DDR1, 200 pins, pitch 0.6 mm |
| Size, mm | - 67.6x37x5.5 |

**Number of cells, cores and frequency depends on FPGA part number and may vary.



CB-CV-SOM specifications

| | |
|------------------|--|
| Interfaces | - USB 2.0 Host type A, HPS - RJ-45 10/100/1000M - microSD slot - mini USB (USB-UART0 bridge), console - DC Power Jack (2.1 mm), 9...18 V |
| Additional | - JTAG FPGA-HPS - RTC - WARM and COLD reset buttons - 2xPBD-40 |
| Operating system | - Linux |

Contacts

Russia, Saint Petersburg
+7 (812) 340-0118, +7 (812) 340-0119
support@metrotek.spb.ru
<http://metrotek.spb.ru>